

Technical data sheet

Compact K

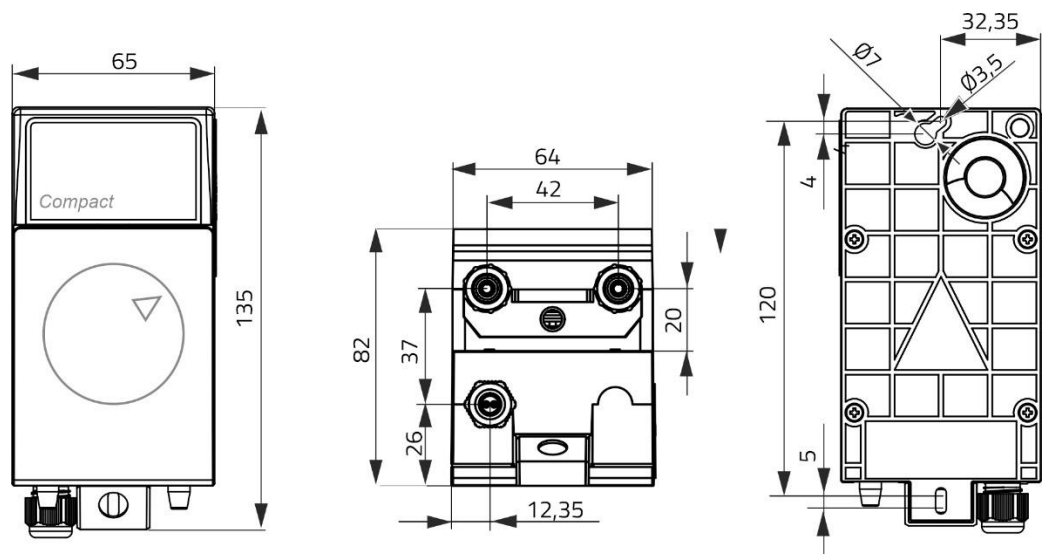
Dosing hose pump for dosing rinse aid and for media that need to be dosed precisely and reliably in small quantities.

The solid DC motor ensures stable pump operation and a long service life.



Performance data	Flow rate:	1,3 ... 10 ml/min PS 138-3,2x1,6Ri4G, 2 bar max.
	Suction head:	1,8 m
	Duty cycle:	30%
Configuration	Setting of operating mode:	With potentiometer (speed or runtime)
	Setting of speed:	With potentiometer (1.3 ... 10 ml/min)
	Setting of runtime:	With potentiometer (1 ... 60 sec, 1 second \pm 0.3 ml)
Electrical data	Operating voltage:	230V AC 50 /60 Hz 24 V AC, 50 / 60 Hz 12 to 24 V DC
	Input power:	5,5 VA
	Protection class:	IP 65
Mechanical data	Dimensions:	65 x 135 x 82 mm
	Weight:	0,6 kg
	Tube connectors:	5x1,5 mm (5/8 mm) alternative 6x2 (6/10)
Ambient conditions	Ambient temperature range:	+10 ... +45 °C
	Environmental stress:	Conforms to DIN EN 60068-2-38

Dimensions



Products

Art. no.	Designation
98273	Compact R 230 V, 50-60 Hz
98279	Compact R 24 V 50-60 Hz
98289	Compact R 12-24 V DC

Tube kit

Art. no.	Tube kit
1000462	SK9911/3,2-5x1,5 138-3,2x1,6Ri4G

Supplied accessories

Tube kit SK9911/3.2-5x1.5 138-3.2x1.6Ri4G
 4 m PVC hose 5x1.5 mm,
 235 mm PVC pipe 12x1.1 mm
 Non-return valve
 Small parts (2x 6 mm wall plugs with screws, 1x discharge elbow, 1x sealing plug)