

# Technical data sheet

## Compact L plus

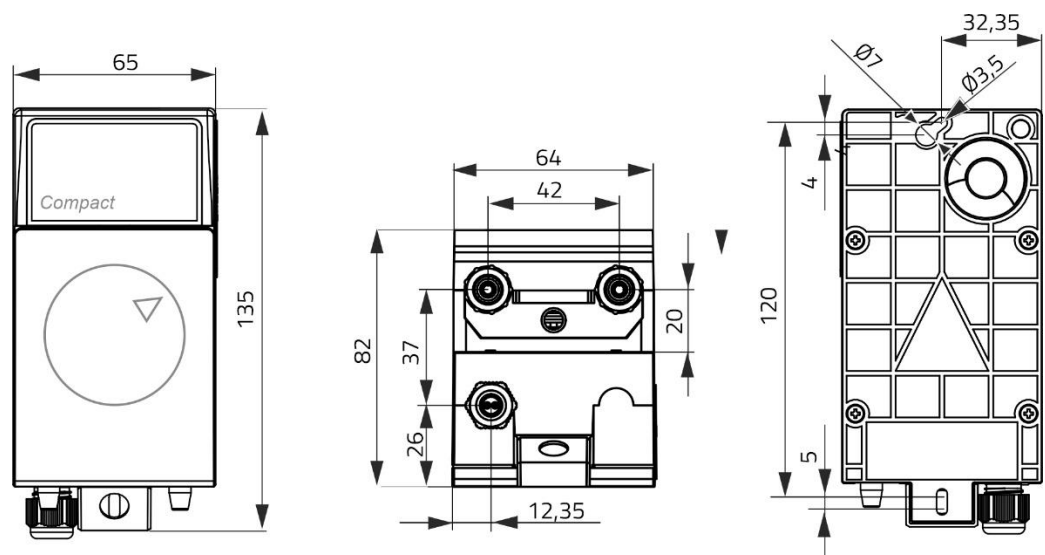
Compact peristaltic metering pump with conductivity control. Proven and valued in flushing technology due to its robustness and precision.

The solid DC motor with double-bearing gearbox guarantees a long service life.



<b>Performance data</b>	Flow rate:	75 ml/min PS 140 NO / PS140 PH, 0,5 bar max.
	Suction head:	1,8 m
	Duty cycle:	30%
<b>Configuration</b>	Set the switching point:	With potentiometer
	Conductivity control:	With conductive electrode
<b>Electrical data</b>	Operating voltage:	230V AC 50 /60 Hz 24 V AC, 50 / 60 Hz
	Input power:	5,5 VA
	Protection class:	IP 65
<b>Mechanical data</b>	Dimensions:	65 x 135 x 82 mm
	Weight:	0,6 kg
	Tube connectors:	5x1,5 mm (5/8 mm) alternative 6x2 (6/10)
<b>Ambient conditions</b>	Ambient temperature range:	+10 ... +45 °C
	Environmental stress:	Conforms to DIN EN 60068-2-38

## Dimensions



## Products

Art. no.	Designation
10090	Compact L+ 230VAC
10093	Compact L+ 24VAC

## Tube kit

Art. no.	Tube kit
1000460	SK9911/4,8-5x1,5 140-4,8x1,6No

## Supplied accessories

Hose kit SK9911/4,8-5x1,5 140-4,8x1,6No b  
 4 m PVC hose 5x1,5 mm,  
 235 mm PVC pipe 12x1,1 mm  
 Electrode EE 10-G3/8  
 Tank inlet connection TST M10, 90°  
 Small parts (2x 6 mm plugs with screws, 1x outlet bracket, 1x sealing plug)